

# TP1 industrial pressure transmitter



TP1 Series pressure transmitter with small volume adopts advantage piezoresistance sensor technology, many sensor chips to choose, stainless steel structure. Various signal output, widely pressure range measurement, perfect long term stability. It is suitable to application in areas where need precision measurement for fluid pressure, such as tube hydraulic pressure, gas pressure, food & beverage industry, machine engineer and etc.



## Features

- ◆ -1-0-2000Bar measurement
- ◆ Various industrial signals optional
- ◆ All kinds of electrical connector to choose
- ◆ Compact design, economic cost
- ◆ Good long term stability
- ◆ Easy for installation



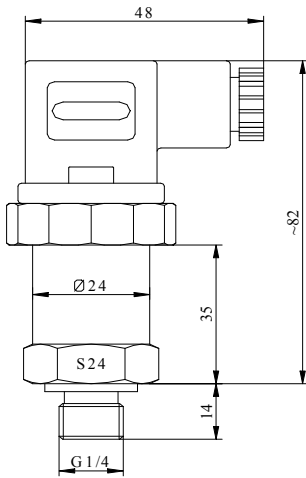
Remarks: Above drawing is only for reference, please make the object as the standard.

## Specification

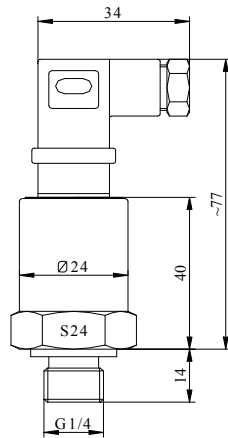
Pressure range	-1 up to 2000 Bar
Overload	150% FS
Burst Pressure	300% FS
Output	4-20 mA, 0-5V, 1-5V, 0-10V
Power Supply	5-36VDC
Response Time	5 ms
Combine error	0,2%, 0,5%, 1% FSO
Repeatability	+/- 0,2% FSO
Long term stability	+/- 0,2%FSO / YEAR
Wetted parts	SS304, SS316L, HASTELLOY
Pressure connection	G1/4". G1/2" OR CUSTOM
Operating temperature	20 up to 125°C
Temperature compensacion	0 to 80°C
Electrical connection	M12, DIN43650, Packard, Wire

## Dimensions

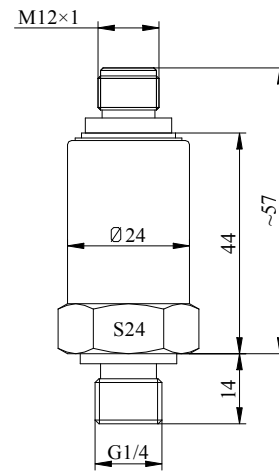
DIN43650 A



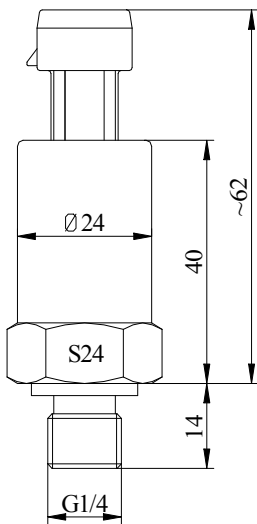
DIN43650 C



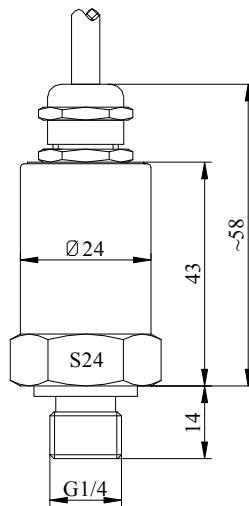
M12 4 PIN



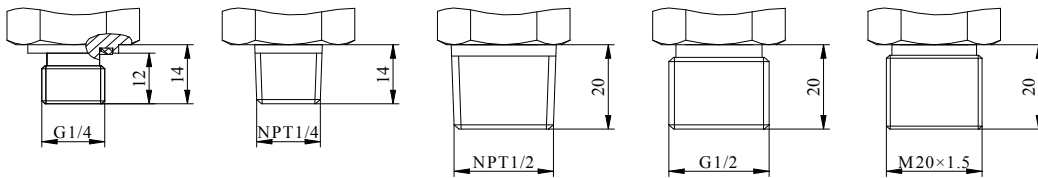
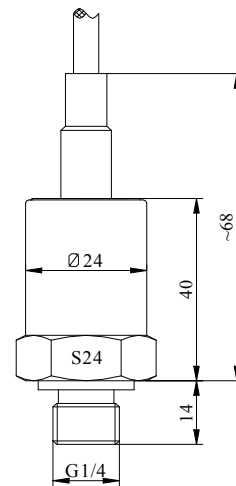
Packard Metri-Pack



Cable outlet A




Cable outlet B

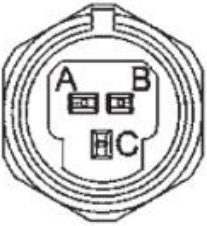


## Wiring Definition


### DIN43650C Connector

	Pin	2-wire		3-wire	
		Definition	Wire Color	Definition	Wire Color
	1	+ Power	Red	Power	Red
	2	- Output	Green /Blue	GND	Black
	3			Output	Green/Blue
⊕	Shield	Black	Shield	Yellow	

### Packard Connector

	Pin	2-wire		3-wire	
		Definition	Wire Color	Definition	Wire Color
	A	Shield	Black	GND	Black
	B	+ Power	Red	Power	Red
	C	- Output	Green /Blue	Output	Green/Blue
				Yellow (Shield)	

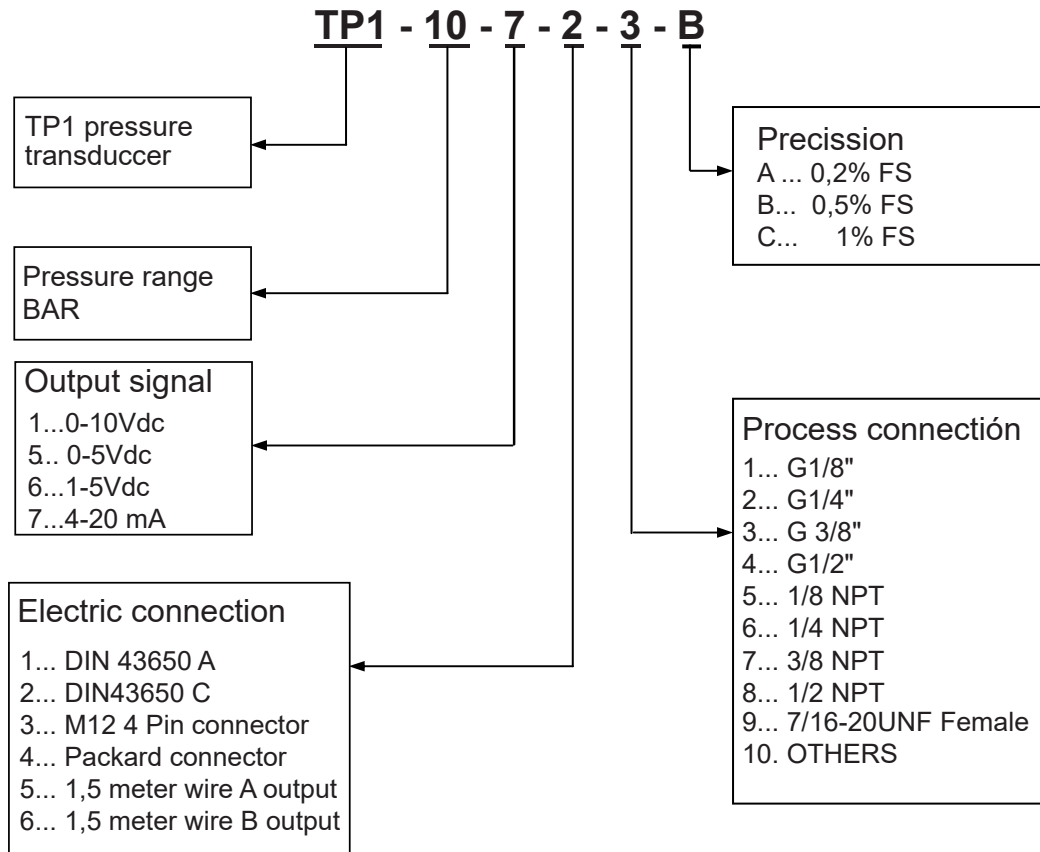
### M12x1 4-pin Connector

	Pin	2-wire		3-wire	
		Definition	Wire Color	Definition	Wire Color
	1	+ Power	Red	Power	Red
	2	- Output	Green/Blue	Output	Green/Blue
	3			GND	Black
4	Shield	Black	Shield	Yellow	

### Cable Outlet

	Wire Color	Pin Definition	
		2-wire	3-wire
	Red	+ Power	Power
	Green / Blue	- Output	Output
	Black	Shield	GND
Yellow		Shield	

## ● Order Code



### Notice:

- The pressure transmitter must be used in a medium that is non-corrosive to the seal material and the housing material.
- In case the pressure guiding hole of the transmitter is blocked, it is forbidden to use sharp tools to clear it. Instead, one should remove the transmitter from the system, immerse the pressure guiding hole part in the liquid which can dissolve the blockage, and then the blockage will flow out easily.
- It's prohibited to open the transmitter by users for calibration or repair.
- Please contact SRC if you're not sure whether the transmitter is suitable for the medium to be measured.
- The transmitter should be installed in a location that is not easily bumped or stepped on.
- Exceeding of the transmitter overload pressure may cause permanent damage.
- Where lightning may occur, customers should consider lightning protection measures.

SRC reserves the right to modify the specifications and contents of this instruction. No further notice will be given if any changes are made. Due to product updates, the individual details of this document may not match the product. Please refer to the actual product. The right to interpret this document belongs to SRC